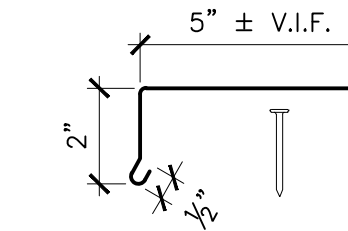


SEALANT DEPTH AND BACKER ROD DIAMETER SHALL BE BASED ON THE FOLLOWING TABLE:

JOINT WIDTH	1/4"	3/8"	1/2"	5/8"	3/4"	7/8"	1"	1 1/4"	1 1/2"
SEALANT DEPTH	1/4"	1/4"	1/4"	1/4"-3/8"	3/8"-1/2"	3/8"-1/2"	3/8"-1/2"	1/2"	1/2"
BACKER ROD DIAMETER	3/8"	1/2"	5/8"	3/4"	1"	1 1/4"	1 1/4"	1 1/2"	2"

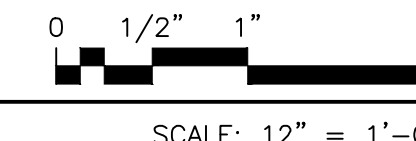
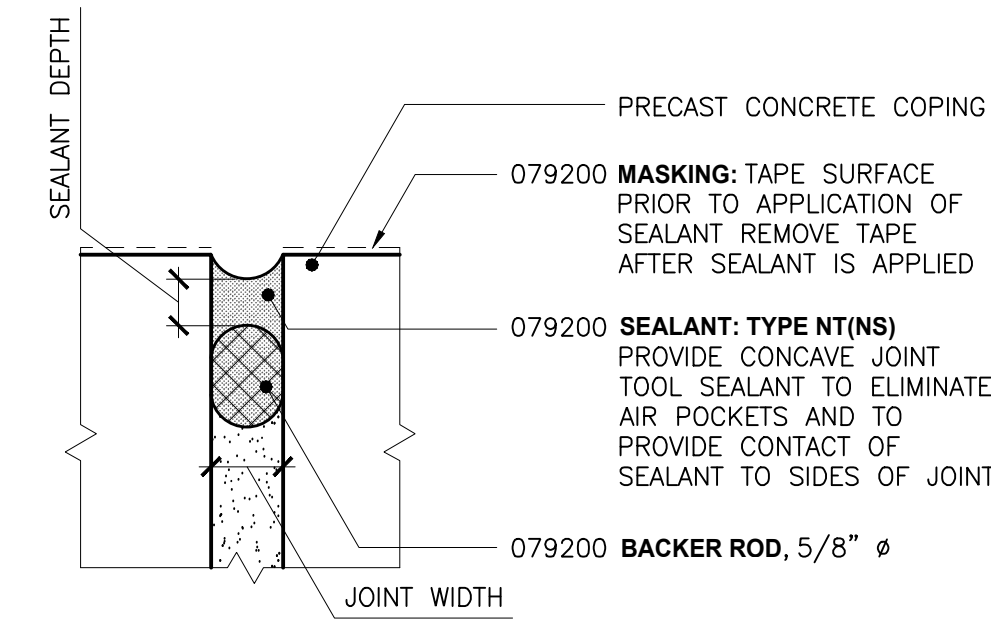
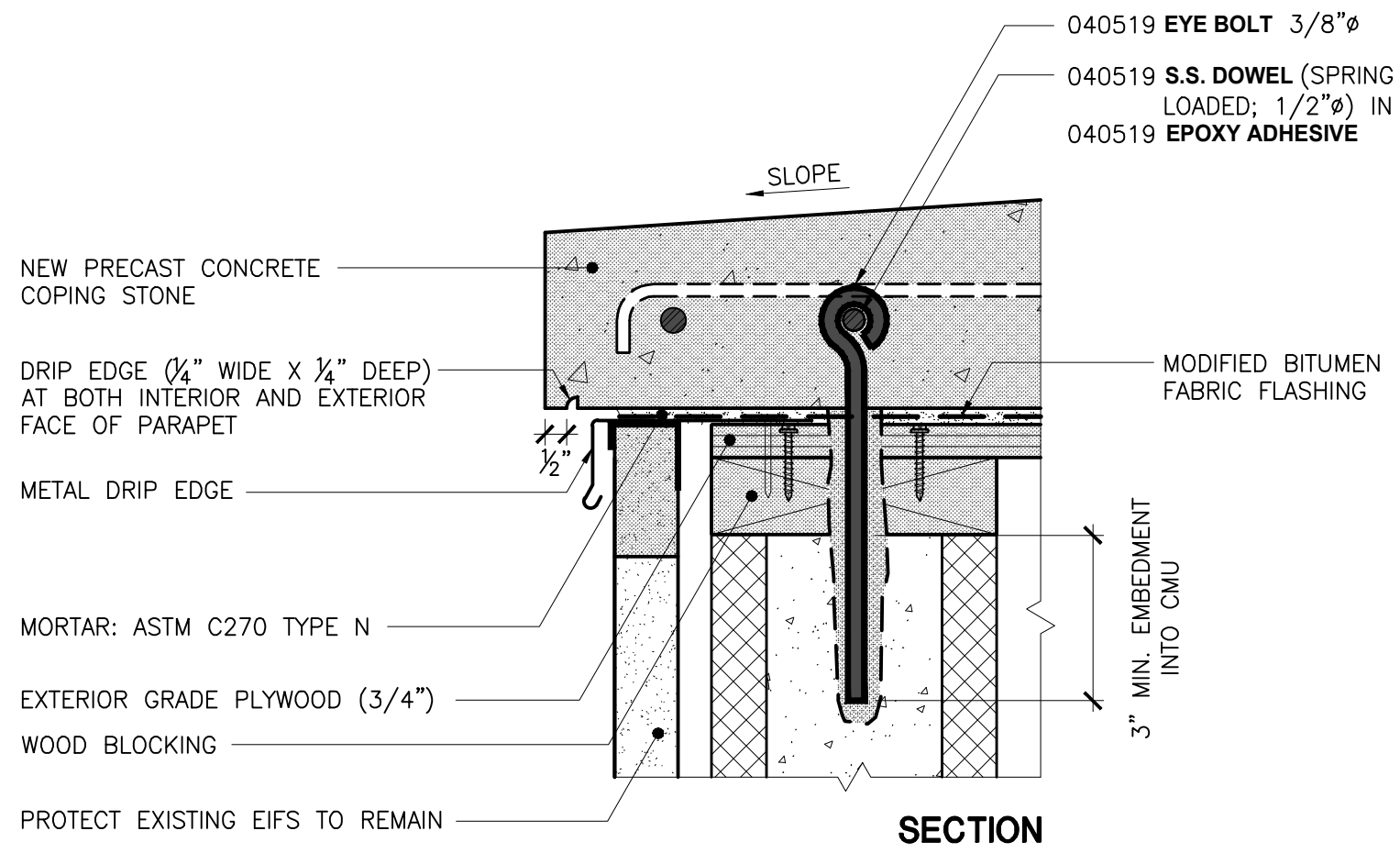
NOTE:
SOLDER ALL SEAMS.



PRE-FORMED SHEET METAL
DRIP EDGE DIMENSIONS

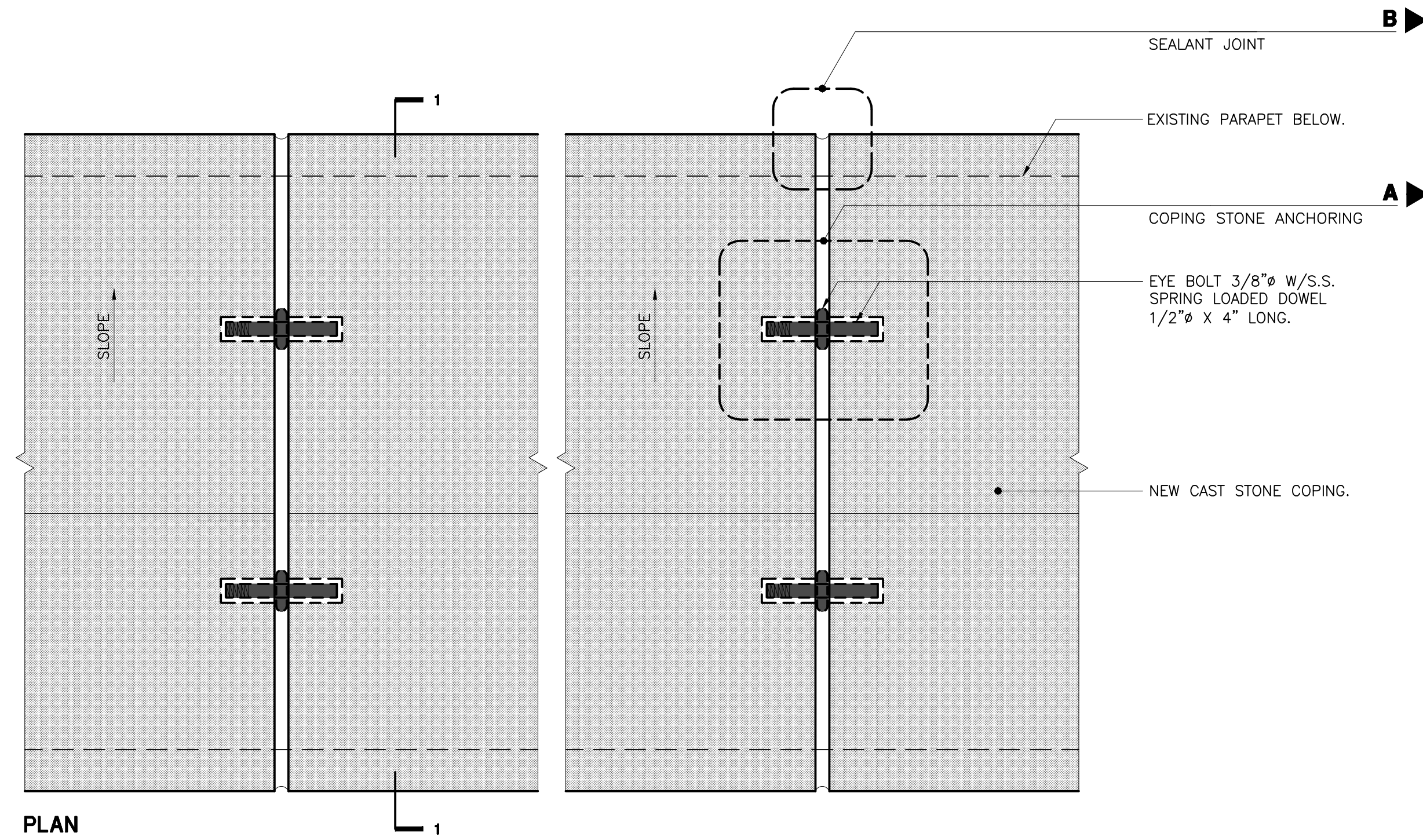
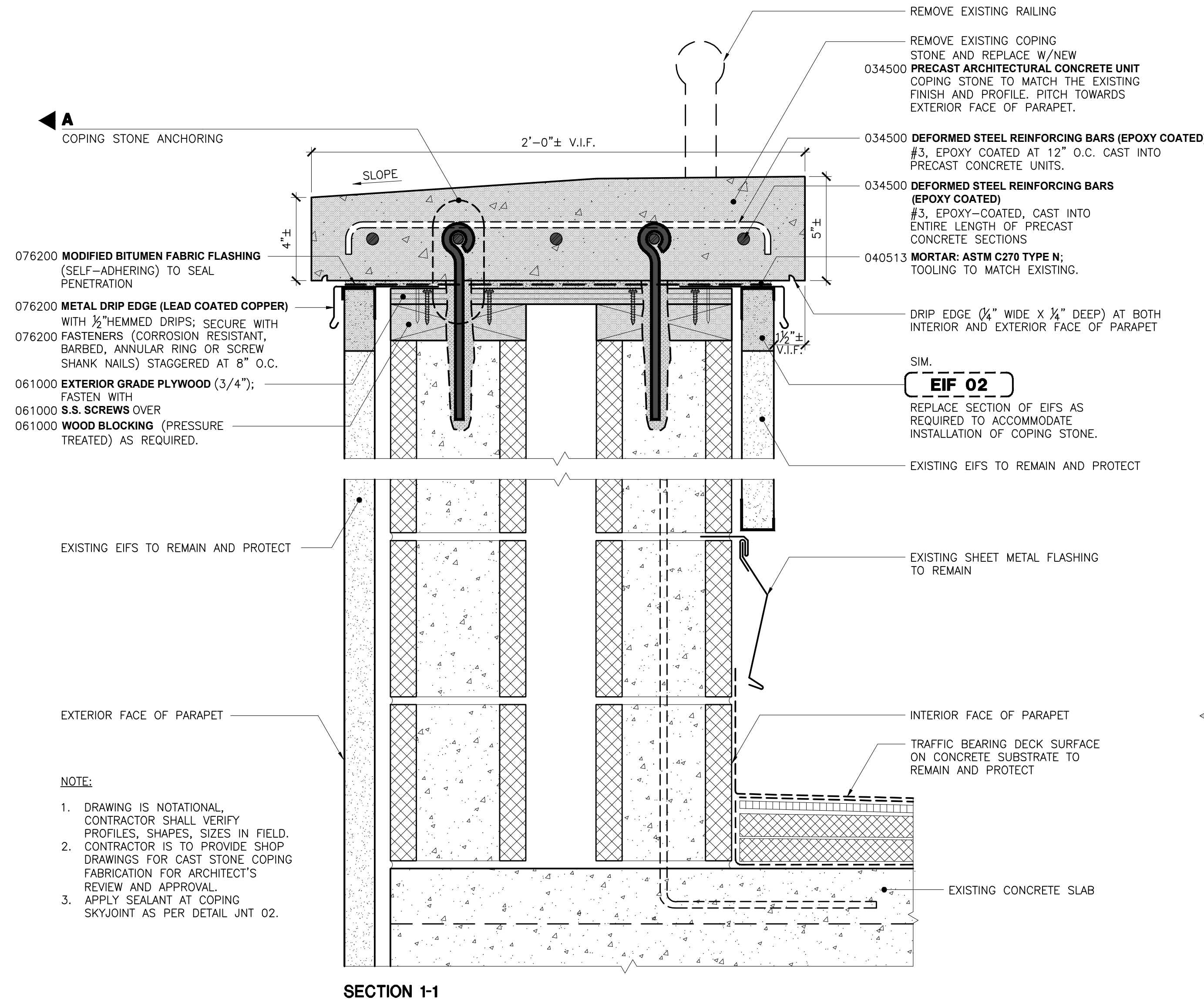
GENERAL NOTES:

- DRAWING IS NOTATIONAL, CONTRACTOR SHALL VERIFY PROFILES, SHAPES & SIZES IN FIELD.
- CONTRACTOR IS TO PROVIDE SHOP DRAWINGS FOR CAST STONE COPING FABRICATION FOR ARCHITECT'S REVIEW AND APPROVAL. SHOP DRAWINGS MUST SHOW DETAILS OF CONSTRUCTION, PROFILES OF PIECES, DIMENSIONS, JOINTS, DRIP EDGES, FLASHINGS, SHEET METAL, REGLETS, ANCHORS, CONNECTIONS AND INSTALLATION DETAILS.
- CONTRACTOR MAY NEED TO REMOVE CAREFULLY THE EXISTING FENCE/SCREEN, AT THE INSIDE FACE OF THE PARAPETS TO PERFORM COPING WORK. CONTRACTOR TO ARRANGE STORAGE WITH CLIENT & REINSTALL FENCE/SCREEN TO MATCH THE EXISTING ONCE COPING WORK IS COMPLETE.
- THE COPING PLAN/CONFIGURATION AND FENCE/SCREEN ATTACHMENT MAY VARY AT NORTH/SOUTH PARAPETS AND THE EAST PARAPET.



A \COP 01
COPING STONE ANCHORING

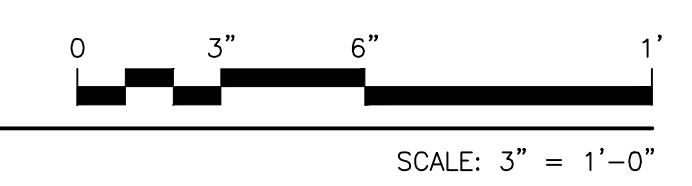
B \COP 01
SEALANT JOINT



- NOTE:
- DRAWING IS NOTATIONAL, CONTRACTOR SHALL VERIFY PROFILES, SHAPES, SIZES IN FIELD.
 - CONTRACTOR IS TO PROVIDE SHOP DRAWINGS FOR CAST STONE COPING FABRICATION FOR ARCHITECT'S REVIEW AND APPROVAL.
 - APPLY SEALANT AT COPING SKYJOINT AS PER DETAIL JNT 02.

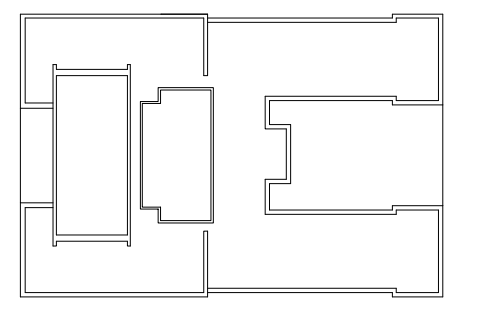
SECTION 1-1

PLAN



COP 01
COPING STONE REPLACEMENT AT 6TH FLOOR COURTYARDS (LF)

SUPER STRUCTURES
ENGINEERS ARCHITECTS
32 AVE OF THE AMERICAS
NEW YORK, NY 10013
TEL 212 505 1833
FAX 212 505 1728



RESTORATION
ASSEMBLY DETAILS:
COP 01

Drawn By: _____ Checked By: _____ Date: _____
Seal & Signature _____ DASNY Project No: _____
Drawing Number
A504.00
Drawing 26 of 52