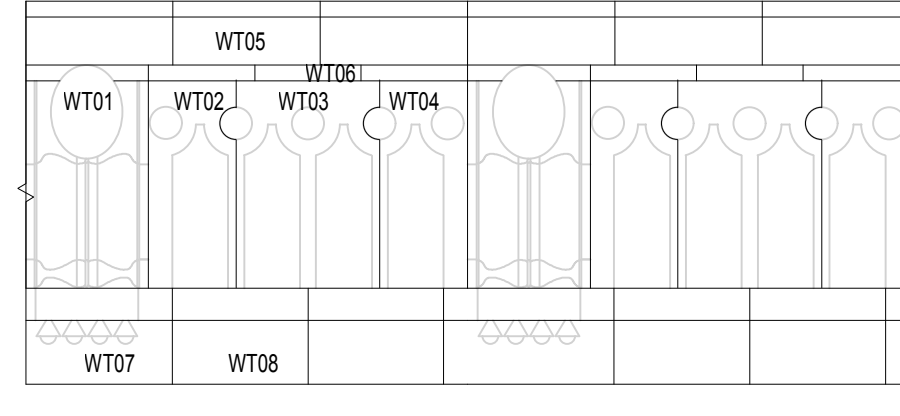


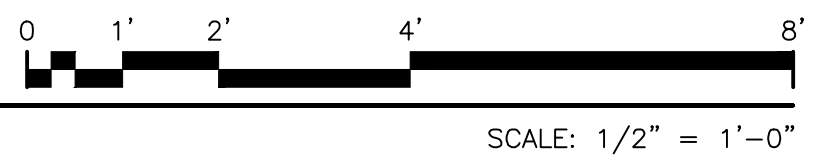


WATER TABLE 01A PHOTOGRAPHS



WATER TABLE 01A TERRA COTTA SCHEDULE				
UNIT REFERENCE NO.	QUANTITIES GABLE 02 (X2)	QUANTITIES GABLE 03 (X8)	QUANTITIES GABLE 06 (X8)	UNIT DESCRIPTION
WT01	5 (X2)	20 (X2)	29 (X2)	WATER TABLE UNIT
WT02	4 (X4)	20 (X2)	29 (X2)	WATER TABLE UNIT
WT03	4 (X4)	20 (X2)	29 (X2)	WATER TABLE UNIT
WT04	4 (X4)	20 (X2)	29 (X2)	WATER TABLE UNIT
WT05	11 (X4)	50 (X2)	76 (X2)	WATER TABLE UNIT
WT06	12 (X4)	20 (X2)	87 (X2)	WATER TABLE UNIT
WT07	5 (X4)	20 (X2)	29 (X2)	WATER TABLE UNIT
WT08	4 (X4)	40 (X2)	58 (X2)	WATER TABLE UNIT
TOTAL	372	2,520	5,856	

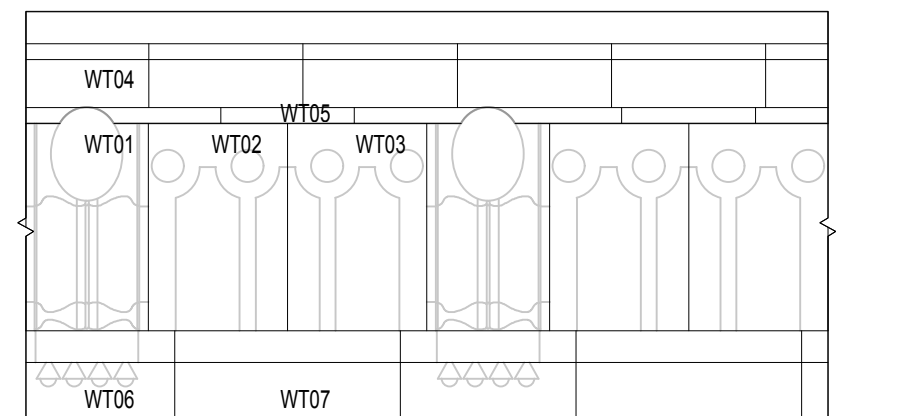
*EXISTING TERRA COTTA UNIT INVENTORY FOR REFERENCE ONLY. CONFIGURATIONS, TYPES & QUANTITIES TO BE VERIFIED.



WATER TABLE 01A

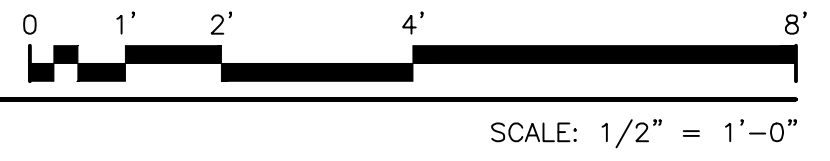


WATER TABLE 01B PHOTOGRAPHS



WATER TABLE 01B TERRA COTTA SCHEDULE		
UNIT REFERENCE NO.	QUANTITIES GABLE 04(X4)	UNIT DESCRIPTION
WT01	14 (X2)	WATER TABLE UNIT
WT02	15 (X2)	WATER TABLE UNIT
WT03	15 (X2)	WATER TABLE UNIT
WT04	21 (X2)	WATER TABLE UNIT
WT05	45 (X2)	WATER TABLE UNIT
WT06	14 (X2)	WATER TABLE UNIT
WT07	15 (X2)	WATER TABLE UNIT
TOTAL	1,112	

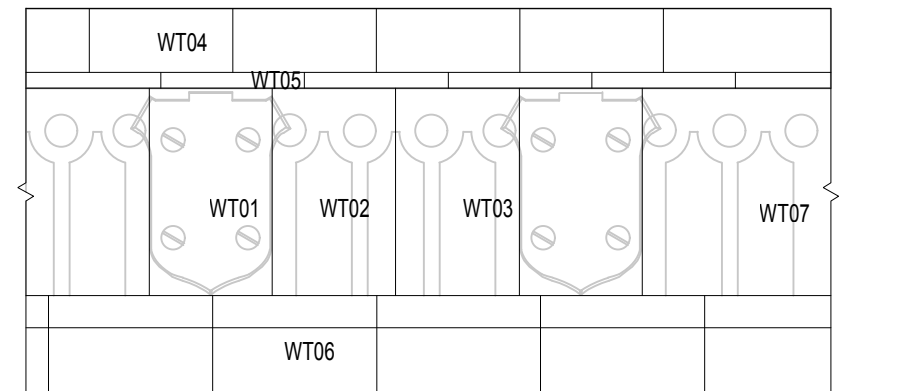
*EXISTING TERRA COTTA UNIT INVENTORY FOR REFERENCE ONLY. CONFIGURATIONS, TYPES & QUANTITIES TO BE VERIFIED.



WATER TABLE 01B

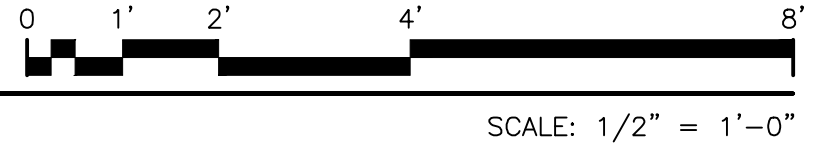


WATER TABLE 02 PHOTOGRAPHS

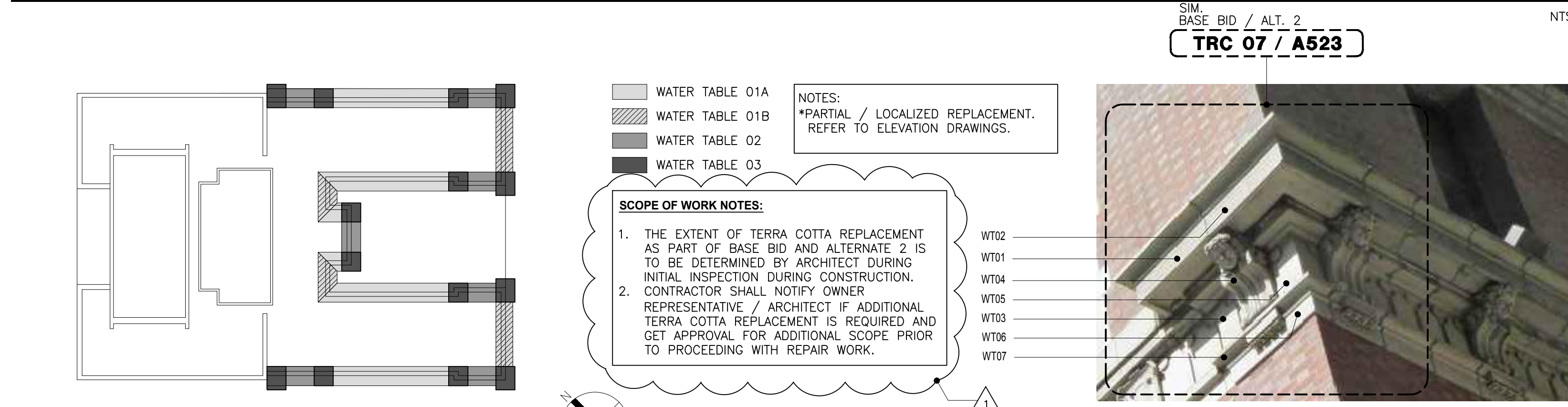


WATER TABLE 02 TERRA COTTA SCHEDULE				
UNIT REFERENCE NO.	QUANTITIES GABLE 01 (X4)	QUANTITIES GABLE 05 (X2)	QUANTITIES GABLE 09 (X2)	UNIT DESCRIPTION
WT01	7 (X4)	9	7 (X4)	WATER TABLE UNIT
WT02	6 (X4)	8	6 (X4)	WATER TABLE UNIT
WT03	6 (X4)	8	6 (X4)	WATER TABLE UNIT
WT04	16 (X4)	21	16 (X4)	WATER TABLE UNIT
WT05	20 (X4)	24	20 (X4)	WATER TABLE UNIT
WT06	15 (X4)	19	15 (X4)	WATER TABLE UNIT
WT07	2 (X4)	2	2 (X4)	WATER TABLE UNIT
TOTAL	1,152	91	576	

*EXISTING TERRA COTTA UNIT INVENTORY FOR REFERENCE ONLY. CONFIGURATIONS, TYPES & QUANTITIES TO BE VERIFIED.



WATER TABLE 02

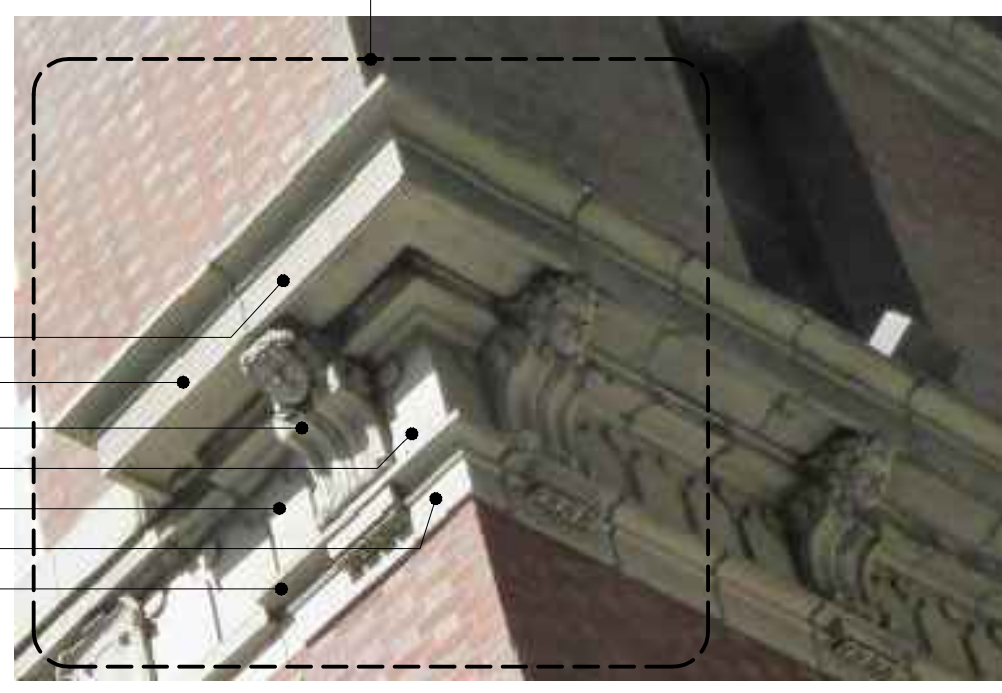


KEY PLAN

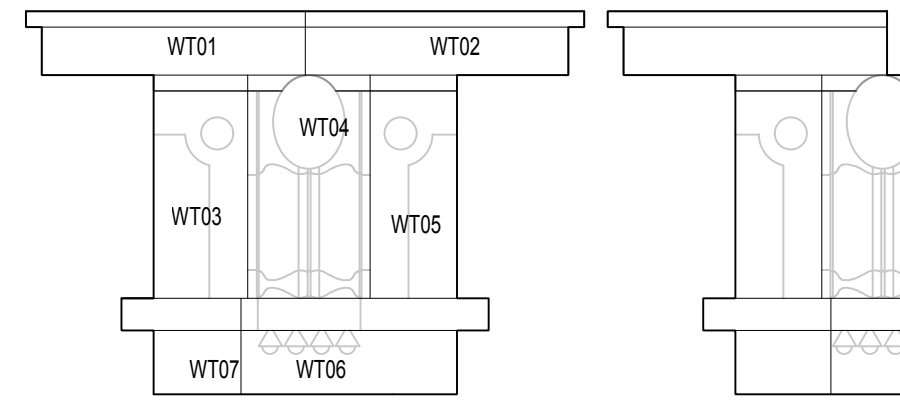
LEGEND:
 WATER TABLE 01A
 WATER TABLE 01B
 WATER TABLE 02
 WATER TABLE 03

NOTES:
 *PARTIAL / LOCALIZED REPLACEMENT. REFER TO ELEVATION DRAWINGS.

SCOPE OF WORK NOTES:
 1. THE EXTENT OF TERRA COTTA REPLACEMENT AS PART OF BASE BID AND ALTERNATE 2 IS TO BE DETERMINED BY ARCHITECT DURING INITIAL INSPECTION DURING CONSTRUCTION.
 2. CONTRACTOR SHALL NOTIFY OWNER REPRESENTATIVE / ARCHITECT IF ADDITIONAL TERRA COTTA REPLACEMENT IS REQUIRED AND GET APPROVAL FOR ADDITIONAL SCOPE PRIOR TO PROCEEDING WITH REPAIR WORK.

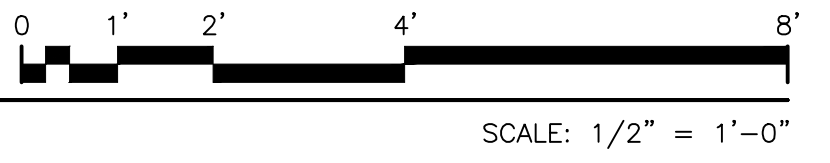


WATER TABLE 03 PHOTOGRAPH

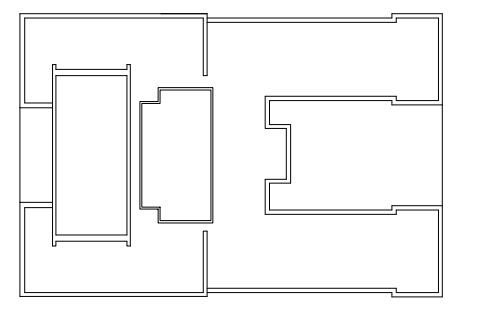


WATER TABLE 03 TERRA COTTA SCHEDULE		
UNIT REFERENCE NO.	QUANTITIES	UNIT DESCRIPTION
WT01	1	WATER TABLE UNIT
WT02	1	WATER TABLE UNIT
WT03	1	WATER TABLE UNIT
WT04	1	WATER TABLE UNIT
WT05	1	WATER TABLE UNIT
WT06	1	WATER TABLE UNIT
WT07	1	WATER TABLE UNIT
TOTAL	7	

*EXISTING TERRA COTTA UNIT INVENTORY FOR REFERENCE ONLY. CONFIGURATIONS, TYPES & QUANTITIES TO BE VERIFIED.



WATER TABLE 03



WATER TABLE 01A, 01B, 02, 03