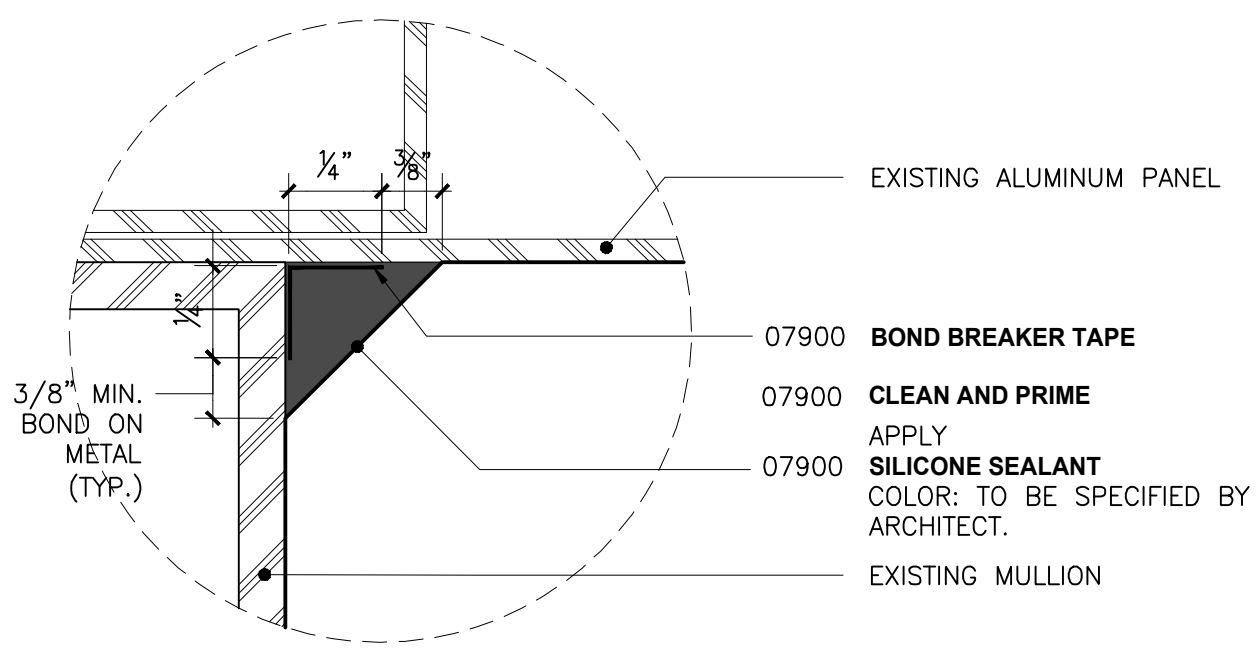
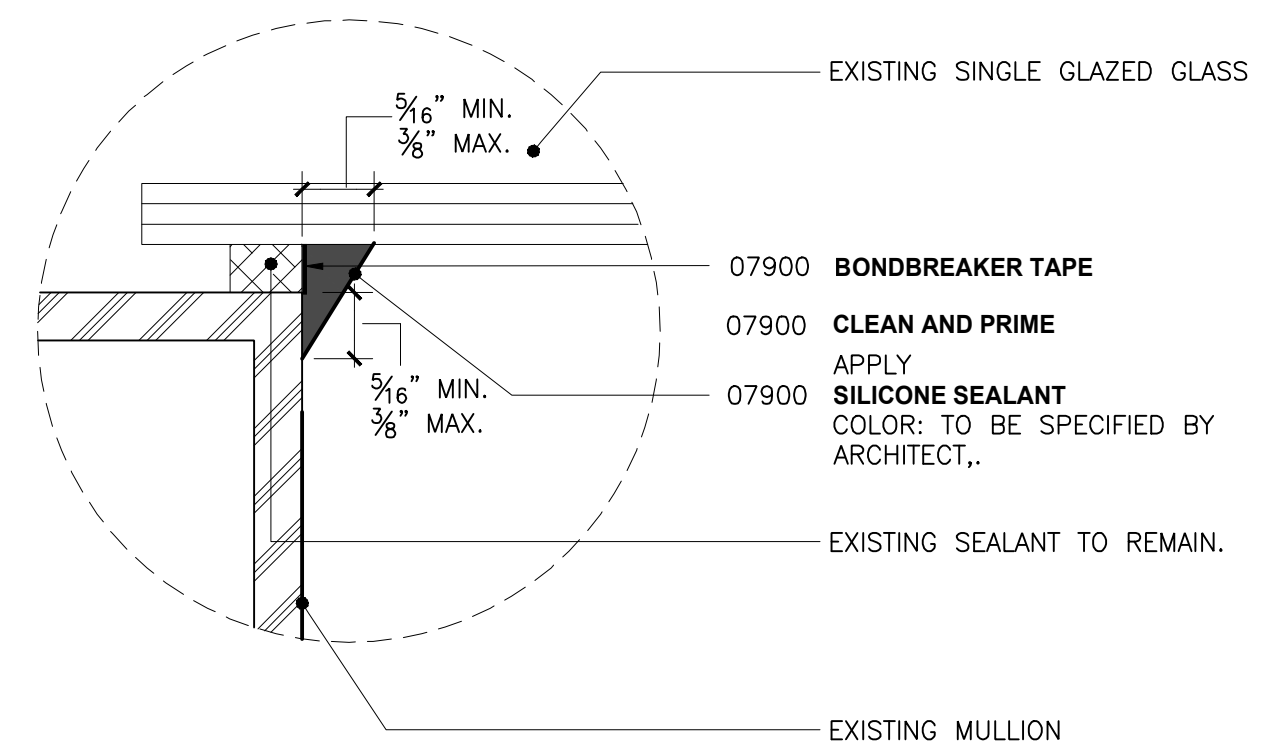


COPYRIGHT 2006 BY SUPERSTRUCTURES. NO PART OF THIS SHEET MAY BE REPRODUCED BY MECHANICAL OR ELECTRONIC MEANS, OR BY ANY INFORMATION STORAGE AND RETRIEVAL SYSTEM, WITHOUT PERMISSION IN WRITING FROM SUPERSTRUCTURES.  
 FILE NAME: S:\V\01 - Promo\_BFM\Website (development)\superstructures.com\2016 Site\Project Drawings for PDF Upload\3481R03 (1.35 West 50th Street)\01-09 JNT DTALS.dwg  
 PLOT TIME: 7/27/2016 4:40 PM



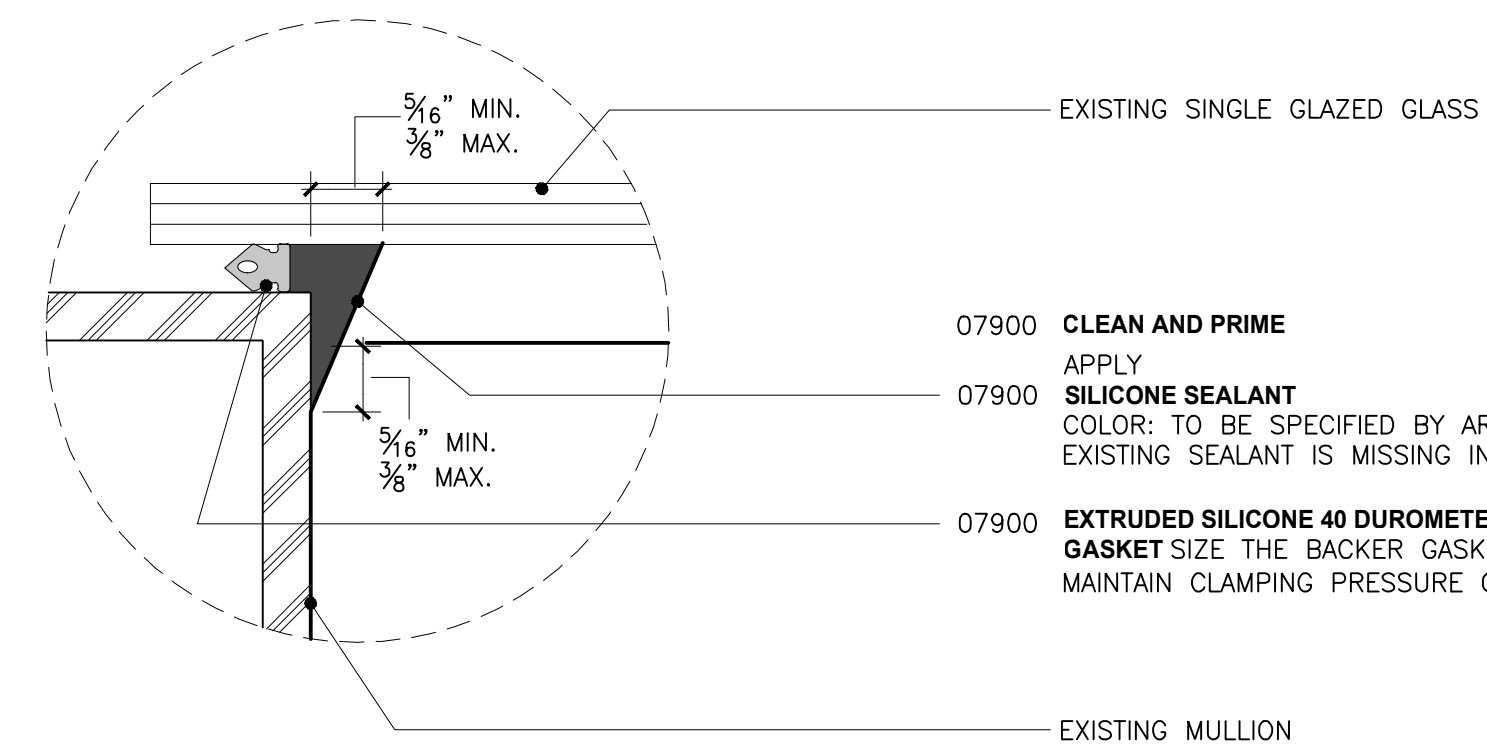
**JNT 01**  
ALUMINUM TO ALUMINUM

SCALE: N.T.S.



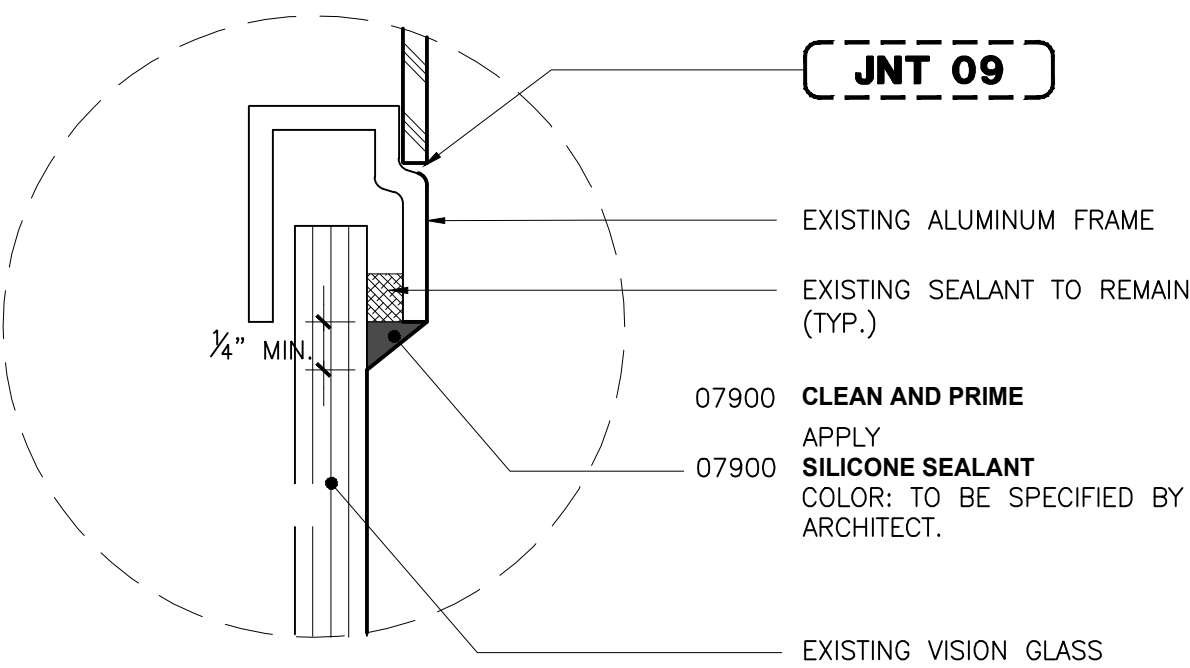
**JNT 02**  
ALUMINUM TO GLASS

SCALE: N.T.S.



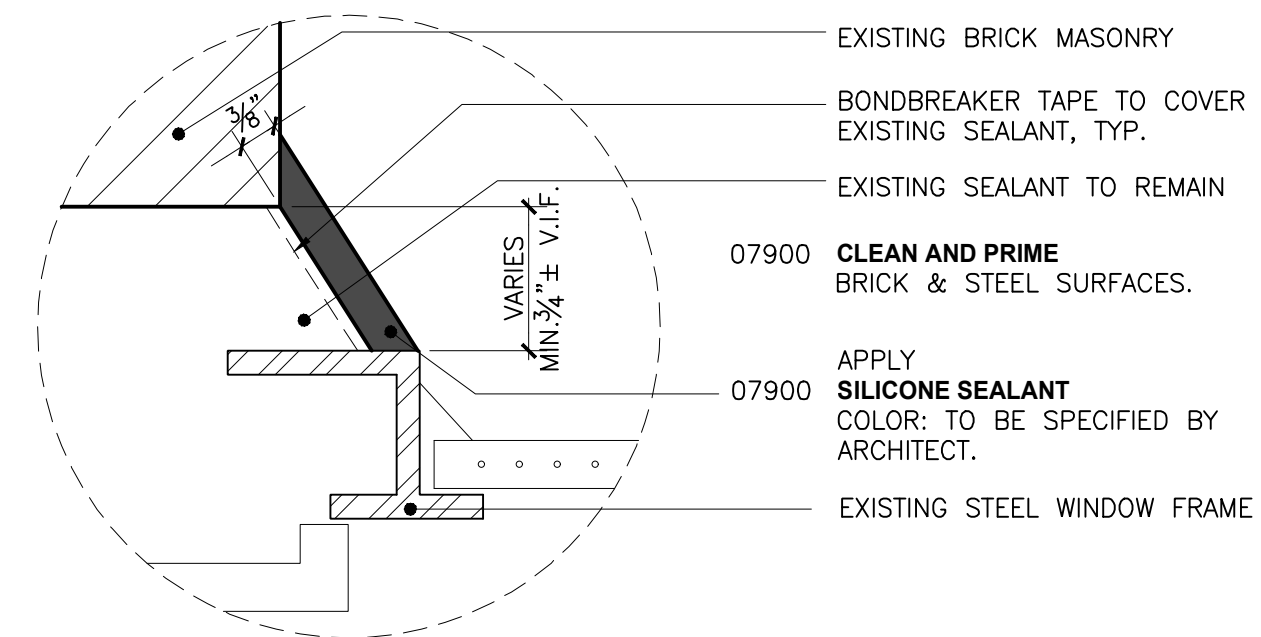
**JNT 02A**  
ALUMINUM TO GLASS W/GASKET

SCALE: N.T.S.



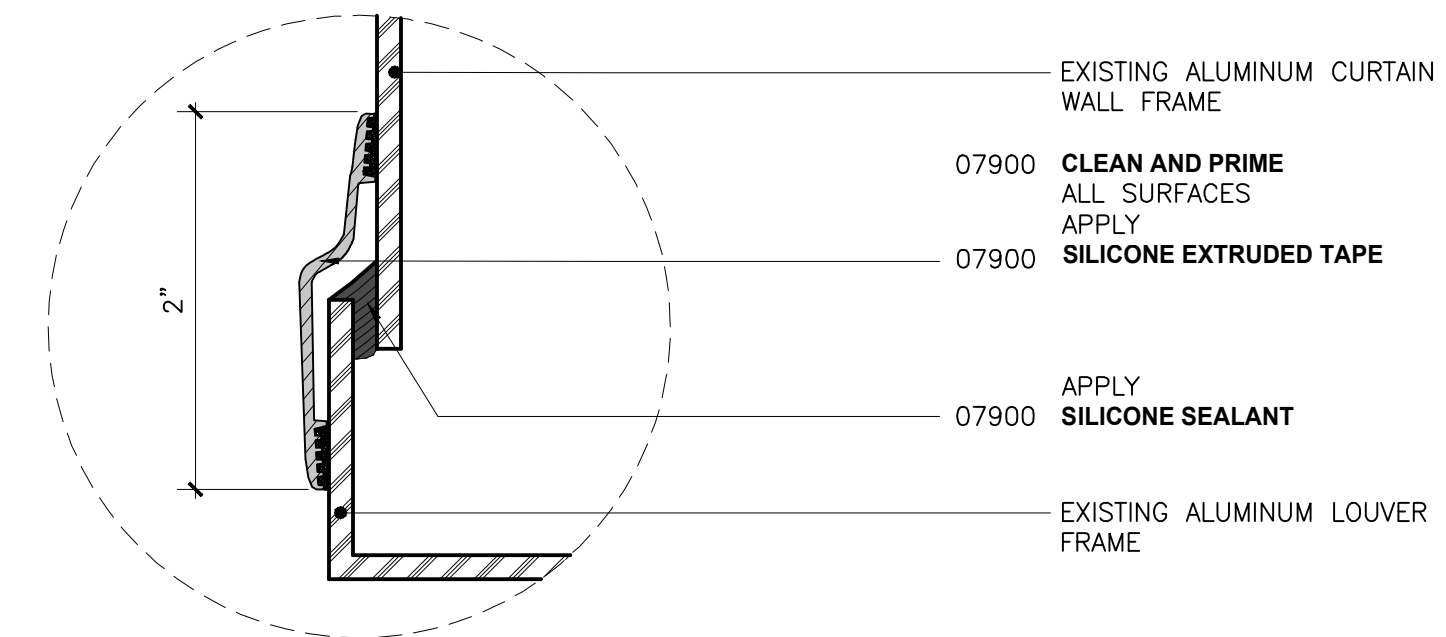
**JNT 03**  
ALUMINUM TO GLASS

SCALE: N.T.S.



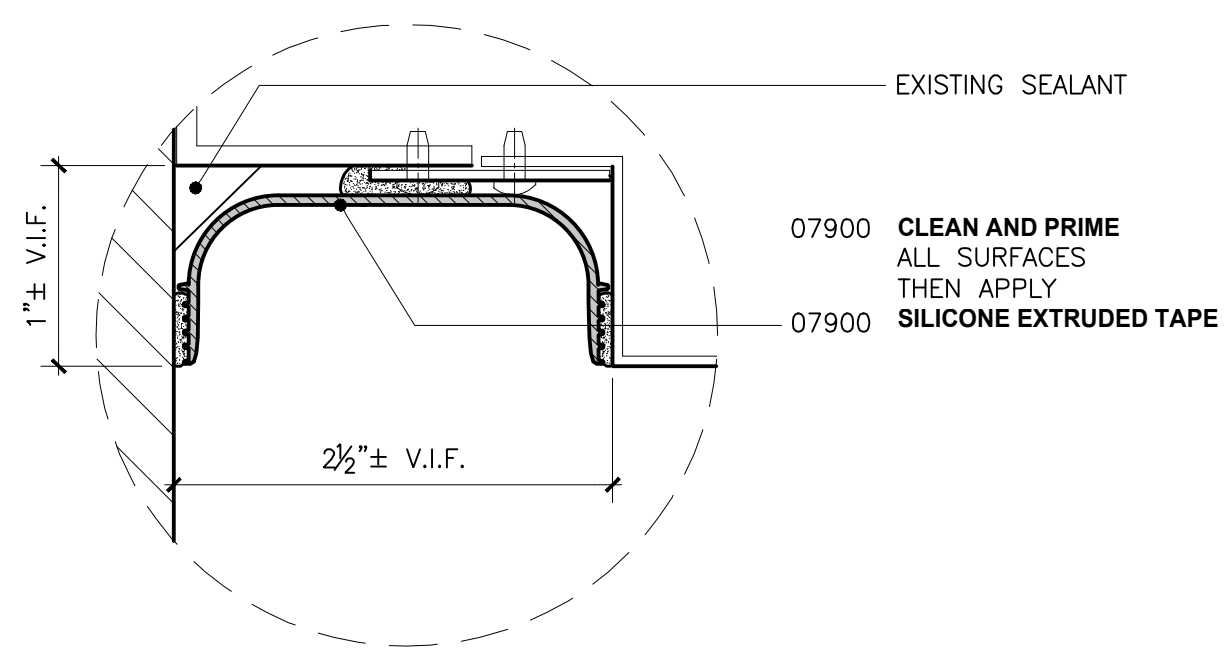
**JNT 04**  
MASONRY TO STEEL

SCALE: N.T.S.



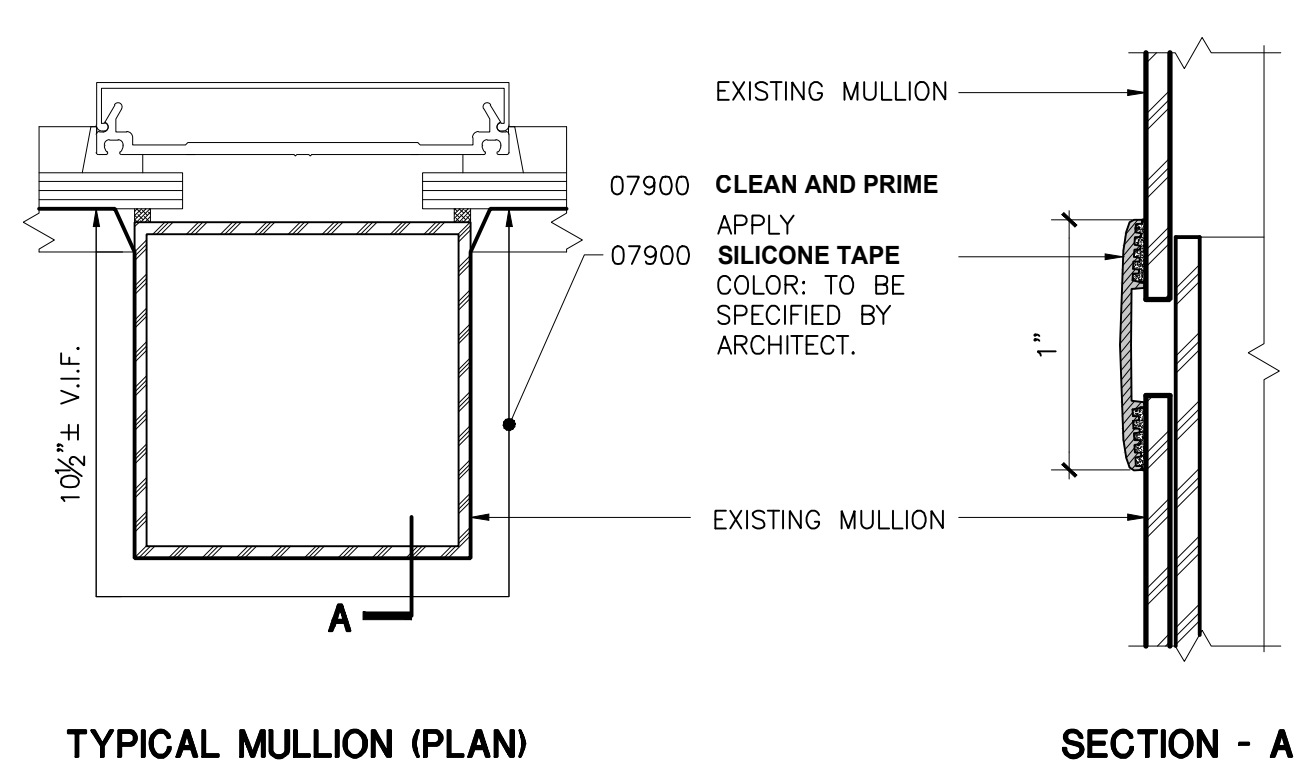
**JNT 05**  
EXTRUDED SILICONE TAPE (2" WIDE)

SCALE: N.T.S.



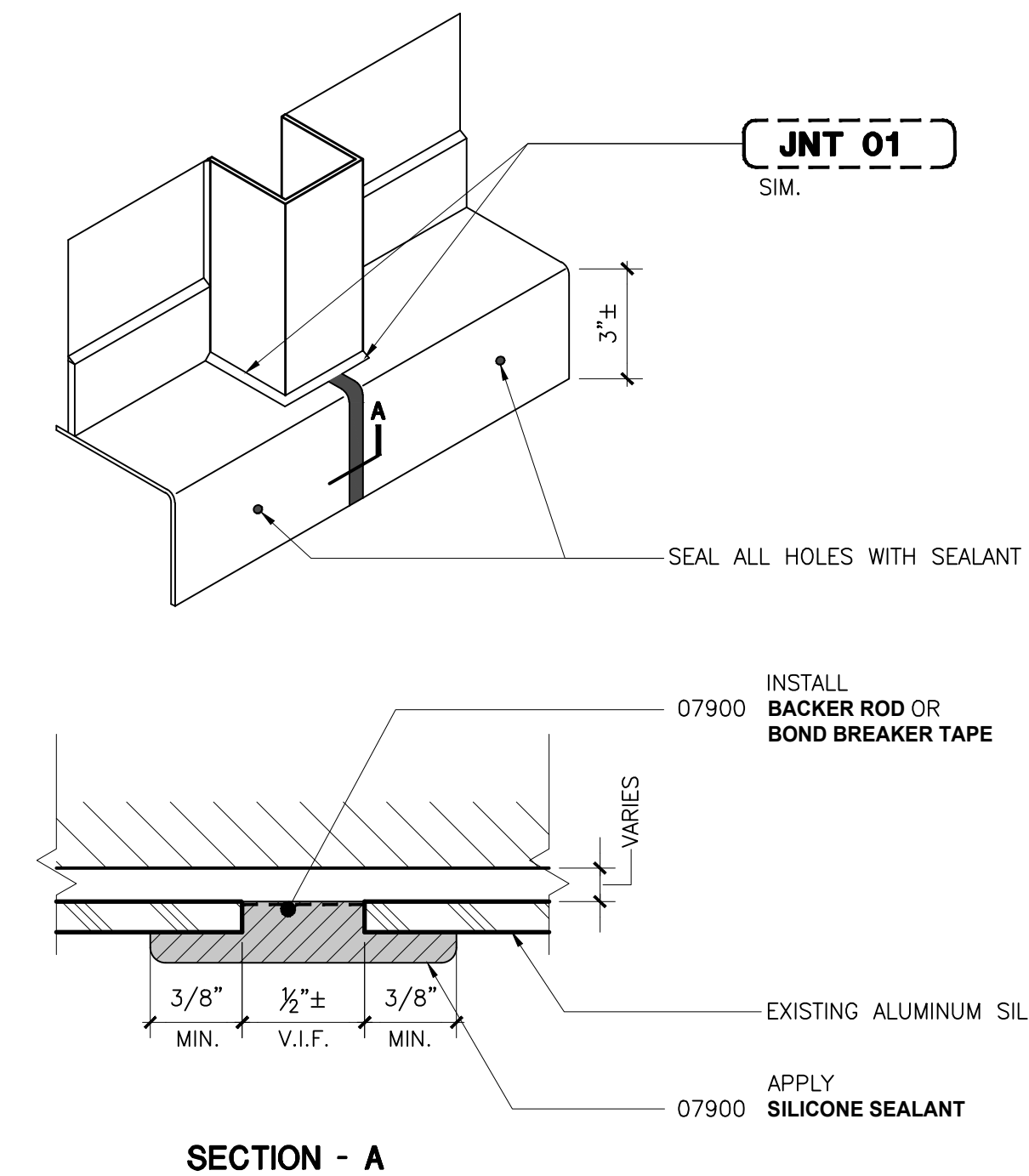
**JNT 06**  
SILICONE EXTRUDED TAPE (4" WIDE)

SCALE: N.T.S.



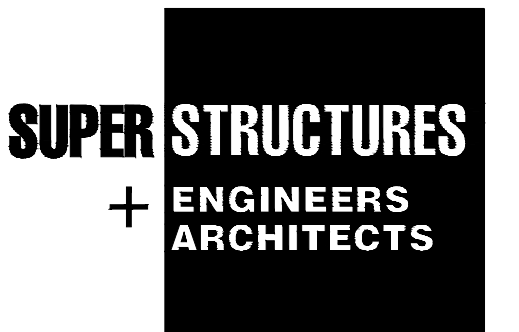
**JNT 07**  
MULLION SPLICE JOINT

SCALE: N.T.S.



**JNT 08**  
SILL SPLICE JOINT

SCALE: N.T.S.



32 AVENUE OF THE AMERICAS  
NEW YORK, NY 10013  
TEL 212 505 1183  
FAX 212 505 1726

DATE	ISSUE/REVISION

**FACADE RESTORATION**

SUPER NO. \_\_\_\_\_

DRAWN BY \_\_\_\_\_ CHECKED BY \_\_\_\_\_

SHEET TITLE \_\_\_\_\_

**JOINT SEALANT DETAILS**

SHEET NO. \_\_\_\_\_